

Platinum Resistance Temperature Detector

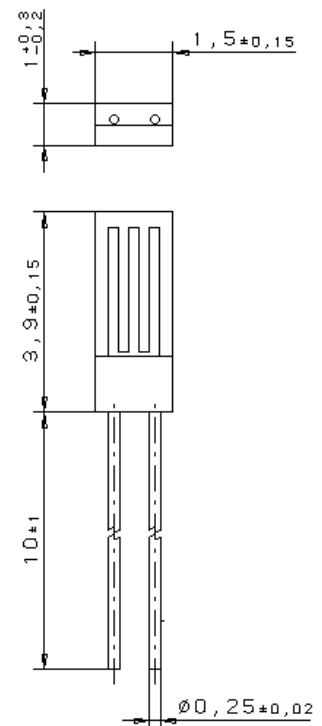
C 416

The C series thin-film PRTDs combine the ideal curve characteristics of ceramic wire-wound RTDs with the vibration resistance of glass wire-wound RTDs and represent an excellent alternative to wire-wound RTDs. They are characterized by high long-term stability, excellent temperature shock resistance and a wide temperature range of -196°C to +500°C. The deviation from the DIN EN 60751 (according to IEC 751) characteristic curve is minimal over the entire temperature range, they show no hysteresis. These features make them best suited for applications in aerospace, chemical and power generation plants and analytical equipment.

Nominal Resistance R_0	Tolerance	Order Number Blister Reel
100 Ohm at 0°C	DIN EN 60751, class B	32 208 519

The measuring point for the nominal resistance is defined at 8 mm from the end of the sensor body.

Specification	DIN EN 60751
Nominal resistance	100 Ω at 0 °C
Temperature range	-196°C to +500°C
Temperature coefficient	TCR = 3850 ppm/K
Leads	AuPd
Long-term stability	max. R_0 -drift 0,03% after 1000 h at 500 °C
Environmental conditions	unhoused for dry environments only
Insulation resistance	> 100 M Ω at 20 °C; > 2 M Ω at 500 °C
Vibration resistance	at least 40 g acceleration at 10 to 2000 Hz, depends on installation
Shock resistance	at least 100 g acceleration with 8ms half sine wave, depends on installation
Self heating	0.4 K/mW at 0 °C
Response time	water current ($v = 0.4$ m/s): $t_{0.5} = 0.07$ s; $t_{0.9} = 0.25$ s air stream ($v = 2$ m/s): $t_{0.5} = 3.2$ s; $t_{0.9} = 14.0$ s
Measuring current	0.3 to 1.0 mA (self heating has to be considered)
Note	Other tolerances, values of resistance and wire lengths are available on request.



We reserve the right to make alterations and technical data printed. All technical data serves as a guideline and does not guarantee particular properties to any products.

DWM & Associates, Inc.

1901 Route 130
 North Brunswick, NJ 08902
 Phone 732-940-4400 Fax 732-940-4445
 Email sales@dwm.ai.com
 www.dwm.ai.com
 U.S. & Canadian distributor for Heraeus Sensor Technology