

Platinum Resistance Temperature Detector

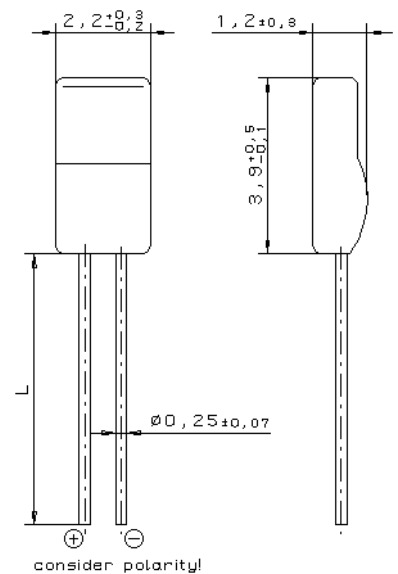
HA 421

HA 421 platinum temperature sensors are characterized by long-term stability, precision over a broad temperature range and compatibility. Main application areas are applications within the automotive industry. For measuring high temperatures you should use a sensor, which reliably works in rough environments, has a long expectancy of life and ideally comes up with the space-saving concepts of the automotive industry.

Nominal Resistance R_0	Tolerance	Order No. Blister box
200 Ohm at 0°C	HST – Tolerance 0°C: ± 4.5 K; 500°C: ± 7.5 K; 1000°C: ± 15 K	32 208 762

The measuring point for the nominal resistance is defined at 6 mm from the end of the sensor body.

Specification	HST (Heraeus Sensor Technology)
Temperature Range	-70°C up to +1000°C
Temperature coefficient	TC = 3770 ppm/K
Leads	Pt
Lead length (L)	8 mm \pm 1mm
Long-term stability	still running for 1000°C, 2000 h at 850°C
Vibration resistance	at least 40 g acceleration at 10 to 2000 Hz, depends on installation
Shock resistance	at least 100 g acceleration with 8ms half sine wave, depends on installation
Environmental conditions	Unhoused for dry environment only, Up to 650°C in housings also as MI-tyossible, above 650°C no reducing atmosphere, free air admission necessary
Insulation resistance	>100 MOhm at 20°C
Self heating	0.2 K/mW at 0 °C
Response time	Water current (v = 0.4 m/s): $t_{0.5} = 0.05$ s; $t_{0.9} = 0.17$ s Air stream (v = 2 m/s): $t_{0.5} = 3.3$ s; $t_{0.9} = 13.0$ s
Measuring current	20°C: 5 mA ; 1000°C: max. 2.7 mA (self heating has to be considered)
Note	Other tolerances, values of resistance and wire lengths are available on request. When connecting the sensor, proper polarization has to be maintained!!!
Status	objective



We reserve the right to make alterations and technical data printed. All technical data serves as a guideline and does not guarantee particular properties to any products.

DWM & Associates, Inc.

1901 Route 130
North Brunswick, NJ 08902
Phone 732-940-4400 Fax 732-940-4445
Email sales@dwmai.com
www.dwmai.com
U.S. & Canadian distributor for Heraeus Sensor Technology