

Housed Platinum Resistance Temperature Detector

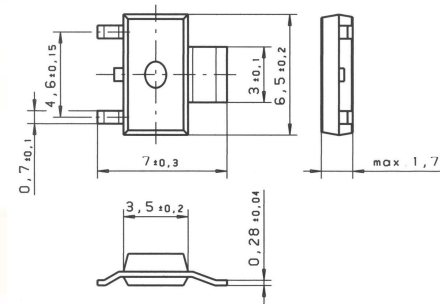
SOT 223

The Pt1000 PRTD in a standard SOT 223 housing is characterized by its standardized signal according to DIN EN 60751 (according to IEC 751), interchangeability, high long time stability and accuracy. It is designed for automatic mounting in electronic applications and serves e. g. for temperature compensation on PCBs. It is equipped with a cooling fin improving thermal contact to the PCB.

| Nominal Resistance R0 | Tolerance DIN EN 60751 1996-07 | Tolerance DIN EN 60751 2009-05 | Order Number Plastic Box |
|-----------------------|--------------------------------------|--------------------------------------|-----------------------------|
| 1000 Ohm at 0°C | Class 2B | F 0,6 | 32 209 116 |

Other resistances and tolerances on request!

| | | |
|-------------------------------------|--|--|
| Specification | DIN EN 60751 (according to IEC 751) | |
| Temperature range | -50°C to +150°C Tolerance Class 2B: -50°C up to +150°C | |
| Temperature coefficient | TCR = 3850 ppm/K | |
| Soldering connection | Cu alloy with Sn coating | |
| Long-term stability | max. R ₀ -drift 0.04% after 1000 h at 150°C max. R ₀ -drift 0.04% after 1000 h at -55°C | |
| Resistance to soldering heat | max. deviation 0.03% after 10s at 260°C | |
| Self heating | 0.049 K/mW at 0°C; mounted on PCB 0.2 K/mW at 0°C; package only | |
| Response time | water current (v = 0.4 m/s): | t _{0,5} = 0.45s t _{0,9} = 1.20s |
| | air stream (v = 2 m/s): | t _{0,5} = 8.0s t _{0,9} = 26.0s |
| Measuring current | 1000Ω: 0.1 to 0.3mA (self heating has to be considered) | |
| Flammability | UL 94-V0 | |
| Specific volume resistance | 20°C: 5 x 10 ¹⁶ Ωcm 150°C: 5 x 10 ¹³ Ωcm | |
| Physical data of housing | material: duroplastic coefficient of thermal expansion: 13 x 10 ⁻⁶ 1/°C thermal conductivity: 0.65 W/mK moisture absorption: 0.5% (P.C.T.: 121°C, 24h) | |
| Storing information | ≤ 1 year (in dry environments) for best solderability | |
| Note | Other tolerances and values of resistance are available on request. | |



We reserve the right to make alterations and technical data printed. All technical data serves as a guideline and does not guarantee particular properties to any products.

Heraeus Sensor Technology USA

1901 Route 130
North Brunswick, NJ 08902
Phone 732-940-4400 Fax 732-940-4445
Email info.hst-us@heraeus.com
www.hst-us.com

Name of document: 30910040 Index A
Status: 10/2009