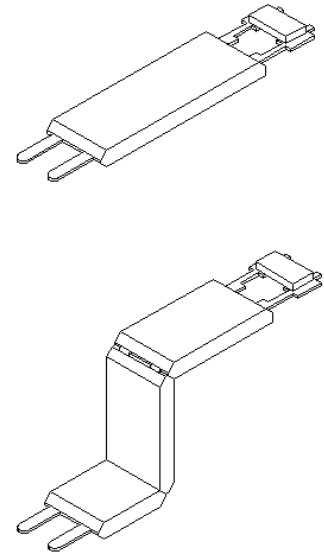


Mold Flex - Oil Temperature Sensors



Two examples of product design. The picture shows a SMD type sensor mounted on a molded leadframe.

With expertise of more than 100 years, Heraeus Sensor Technology is the world's leading developer, producer and supplier of platinum temperature sensors. Innovation, quality awareness and constant attention to our customer's requirements are our top priorities.

Heraeus Sensor Technology has provided oil-temperature sensors to the leading suppliers of the automotive industry. Our proven design is already in use in over 1 million oil quality systems in German automobiles.

Advantages of using our sensors in your oil-quality systems:

- Customer-specific design
- Fast response time
(response time can be customized to your needs)
- Low drift
- High signal output
- Long term stability and product life cycle
- Pick & Place compatible packaging available
- Temperature range flexibility
- Superior performance to NTC and KTY based designs

We reserve the right to make alterations in illustrations and technical data printed. All technical data serves as a guideline and does not guarantee particular properties to any products.

Heraeus Sensor Technology USA

1901 Route 130
North Brunswick, NJ 08902
Phone 732-940-4400 Fax 732-940-4445
Email info.hst-us@heraeus.com
www.hst-us.com