



Ceramic wire-wound PRTD

Type KH
(-200°C to +1000°C)



*The reference for
high temperature
sensors*

APPLICATIONS	<ul style="list-style-type: none">- Accuracy and stability over a wide temperature range- Element for laboratory reference sensor
SPECIAL FEATURES	<ul style="list-style-type: none">- Wide operating temperature range- Good temperature stability- No hysteresis
CONCEPT	A platinum wire is wound inside a ceramic body. The lead wire connection is especially stable and resistant to pull force.
NOMINAL VALUE	<ul style="list-style-type: none">- 100 Ω at 0°C- Measuring point at 8 mm from the end of connection wires- Temperature coefficient $\alpha = 3850$ ppm/K
TOLERANCE CLASS	<ul style="list-style-type: none">- IEC 751 : class B- Tighter tolerances in restricted temperature range
TEMPERATURE RANGE	<ul style="list-style-type: none">- From -200°C to +1000°C
CONNECTION WIRES	<ul style="list-style-type: none">- Platinum
HOUSING ADVISORY	<ul style="list-style-type: none">- Do not use without protection in wet environment
RESISTANCE AND STABILITY	<ul style="list-style-type: none">- No hysteresis- Limited resistance against vibration- Medium resistance to mechanical pressure- Insulation resistance > 100MΩ à 20°C ; 1MΩ à 500°C
OPTIONS	<ul style="list-style-type: none">- Wires length- Extension cable

Attention : All technical data and recommendations concerning the products and services of our firm are for information purposes only. No data given in our technical datasheets guarantee particular properties to any products. They represent values obtained by experience and are intended as guidelines only. Seller reserves the right to make alterations in illustrations and technical data printed, resulting from further development.

Heraeus Sensor Technology USA

1901 Route 130
North Brunswick, NJ 08902
Phone 732-940-4400 Fax 732-940-4445
Email info.hst-us@heraeus.com
www.hst-us.com

Product description

Type KH

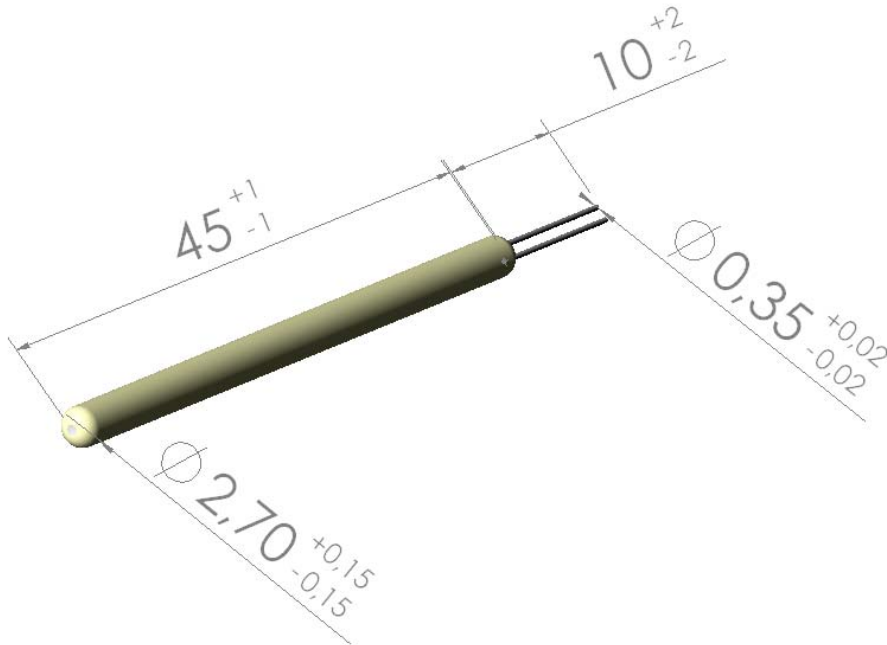
Type	Designation	Order number	Nominal reference (Ohm at 0°C)	L	D	AL	A	Self-heating in air (K/mW)	Response time	
									Water v = 0,4 m/s t0,5	Air v = 1 m/s t0,5
				(Dimensions in mm)					(s)	

Class B

1P1100	KH 4527	SB0589	100	45	2,7	10	0,35	0,07	0,5	14
--------	---------	--------	-----	----	-----	----	------	------	-----	----

DIMENSIONAL TOLERANCES :

L (length of body)	= ± 1 mm
D (diameter of body)	= ± 0,15 mm
AL (connection wire length)	= ± 2 mm
A (connection wire diameter)	= ± 0,02 mm



Heraeus Sensor Technology USA

1901 Route 130
 North Brunswick, NJ 08902
 Phone 732-940-4400 Fax 732-940-4445
 Email info.hst-us@heraeus.com
 www.hst-us.com