

## Platinum Resistance Temperature Detector

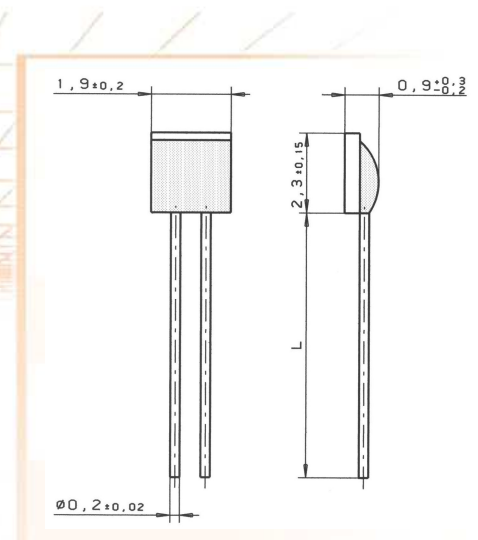
## M 220

M series PRTDs are designed for large volume applications where long term stability, interchangeability and accuracy over a large temperature range are vital. Typical applications are Automotive, White goods, HVAC, Energy management, Medical and Industrial equipment.

Nominal Resistance $R_0$	Tolerance	Order No. Plastic bag	Order No. Blister reel
100 Ohm at 0°C	DIN EN 60751, class B	32 208 714	32 208 440
	DIN EN 60751, class A	32 208 715	32 208 465
	DIN EN 60751, class 1/3 DIN		32 208 466

The measuring point for the nominal resistance is defined at 8 mm from the end of the sensor body.

<b>Specification</b>	DIN EN 60751 (according to IEC 751)	
<b>Temperature range</b>	-70°C to +500°C (continuous operation) (temporary use to 550 °C possible) Tolerance class B: - 70 °C to + 500 °C Tolerance class A: - 50 °C to + 300 °C Tolerance class 1/3 DIN: 0 °C to + 150 °C	
<b>Temperature coefficient</b>	TCR = 3850 ppm/K	
<b>Leads</b>	Pt clad Ni wire Recommend connection technology: Welding, Crimping and Brazing	
<b>Lead lengths (L)</b>	10 mm +- 1 mm	
<b>Long-term stability</b>	max. $R_0$ -drift 0.04% after 1000 h at 500°C	
<b>Vibration resistance</b>	at least 40 g acceleration at 10 to 2000 Hz, depends on installation	
<b>Shock resistance</b>	at least 100 g acceleration with 8ms half sine wave, depends on installation	
<b>Environmental conditions</b>	unhoused for dry environments only	
<b>Insulation resistance</b>	> 100 MΩ at 20°C; > 2 MΩ at 500°C	
<b>Self heating</b>	0.4 K/mW at 0°C	
<b>Response time</b>	water current (v = 0.4 m/s):	$t_{0.5} = 0.05$ s $t_{0.9} = 0.15$ s
	air stream (v = 2 m/s):	$t_{0.5} = 3.0$ s $t_{0.9} = 10.0$ s
<b>Measuring current</b>	100 Ω: 0.3 to 1.0 mA (self heating has to be considered)	
<b>Note</b>	Other tolerances, values of resistance and wire lengths are available on request.	



We reserve the right to make alterations and technical data printed. All technical data serves as a guideline and does not guarantee particular properties to any products.

## Heraeus Sensor Technology USA

1901 Route 130  
 North Brunswick, NJ 08902  
 Phone 732-940-4400 Fax 732-940-4445  
 Email info.hst-us@heraeus.com  
 www.hst-us.com

name of document: 30910014 Index A  
 Status: 09/2008, HSTUSA 10/09